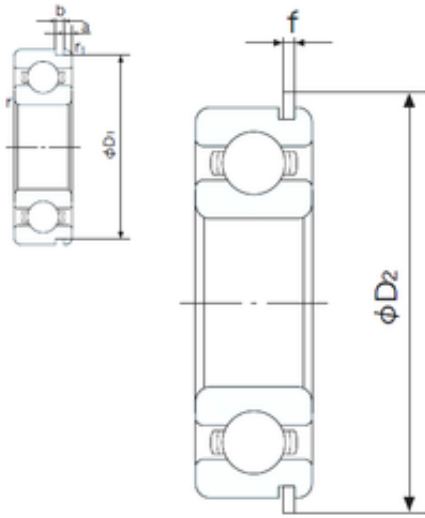




CEBY BEARINGS INVESTMENT LTD



95 mm x 200 mm x 45 mm NACHI 6319NR
deep groove ball bearings

Bearing No. 6319NR

6319NR Bearing 2D drawings and 3D CAD models

Size	95x200x45 mm
Bore Diameter	95 mm
Outer Diameter	200 mm
Width	45 mm
d	95 mm
D	200 mm
B	45 mm
C	45 mm
a	5.69 mm
b	3.5 mm
f	3.1 mm
r min.	3 mm
r1 min.	0.5 mm
D1	193.65 mm
D2	212.9 mm
Weight	5.67 Kg
Basic dynamic load rating (C)	153 kN
Basic static load rating (C0)	118 kN
(Grease) Lubrication Speed	3200 r/min
Category	Single Row Ball Bearings
Inventory	0.0
Manufacturer Name	NACHI
Minimum Buy Quantity	N/A
Weight / Kilogram	0
Product Group	B00308



CEBY BEARINGS INVESTMENT LTD

Enclosure	Open
Precision Class	ABEC 1 ISO P0
Maximum Capacity / Filling Slot	No
Rolling Element	Ball Bearing
Snap Ring	Yes
Internal Special Features	No
Cage Material	Steel
Internal Clearance	C0-Medium
Inch - Metric	Metric
Long Description	95MM Bore; 200MM Outside Diameter; 45MM Outer Race Width; Open; Ball Bearing; ABEC 1 ISO P0; No Filling Slot; Yes Snap Ring; No Internal Special Features; C0-Medium Internal Clearance; Steel Cage
Other Features	Deep Groove With Snap Ring
Category	Single Row Ball Bearing
UNSPSC	31171504
Harmonized Tariff Code	8482.10.50.68
Noun	Bearing
Keyword String	Ball
Manufacturer URL	http://www.nachiamerica.com
Outside Diameter	7.874 Inch 200 Millimeter
Outer Race Width	1.772 Inch 45 Millimeter
Inner Race Width	0 Inch 0 Millimeter
Bore	3.74 Inch 95 Millimeter
Bore Type	Cylindrical Bore
Configuration	Single Row
Bore Size	95 mm
Width	45 mm



CEBY BEARINGS INVESTMENT LTD

Fillet Radius/Chamfer	3 mm
r1	0.5 mm
Snap Ring Width	3.1 mm
Snap Ring Outside Diameter	212.9 mm
D1 (max)	193.7 mm
a (max)	5.7 mm
b (min)	3.5 mm
Dynamic Load Rating	153,000 N
Static Load Rating	118,000 N
Limiting Speed - Grease	3,300 rpm
Limiting Speed - Oil	3,900 rpm
Factor fo	13.3
Radial Clearance	0.012 to 0.036 mm
da (min)	109 mm
Da (max)	186 mm
Dx (min)	215 mm
ra (max)	2.5 mm
Cy (max)	8.4 mm