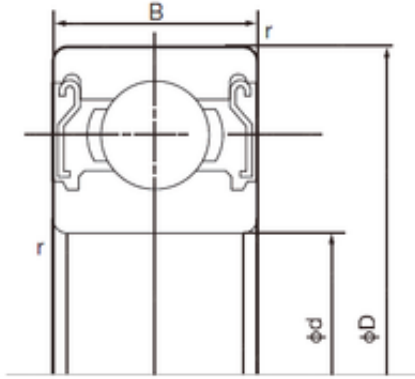




# CEBY BEARINGS INVESTMENT LTD

95 mm x 200 mm x 45 mm NACHI 6319ZZ  
deep groove ball bearings



Bearing No. 6319ZZ

6319ZZ Bearing 2D drawings and 3D CAD models

Size	95x200x45 mm
Bore Diameter	95 mm
Outer Diameter	200 mm
Width	45 mm
d	95 mm
D	200 mm
B	45 mm
C	45 mm
r min.	3 mm
da min.	109 mm
Da max.	186 mm
ra max.	2.5 mm
Weight	5.67 Kg
Basic dynamic load rating (C)	153 kN
Basic static load rating (C0)	118 kN
Category	Single Row Ball Bearings
Inventory	0.0
Manufacturer Name	NACHI
Minimum Buy Quantity	N/A
Weight / Kilogram	0
Product Group	B00308
Enclosure	2 Metal Shields
Precision Class	ABEC 1   ISO P0
Maximum Capacity / Filling Slot	No



## CEBY BEARINGS INVESTMENT LTD

Rolling Element	Ball Bearing
Snap Ring	No
Internal Special Features	No
Cage Material	Steel
Internal Clearance	C0-Medium
Inch - Metric	Metric
Long Description	95MM Bore; 200MM Outside Diameter; 45MM Outer Race Width; 2 Metal Shields; Ball Bearing; ABEC 1   ISO P0; No Filling Slot; No Snap Ring; No Internal Special Features; C0-Medium Internal Clearance; Ste
Other Features	Deep Groove
Category	Single Row Ball Bearing
UNSPSC	31171504
Harmonized Tariff Code	8482.10.50.68
Noun	Bearing
Keyword String	Ball
Manufacturer URL	<a href="http://www.nachiamerica.com">http://www.nachiamerica.com</a>
Bore	3.74 Inch   95 Millimeter
Inner Race Width	0 Inch   0 Millimeter
Outside Diameter	7.874 Inch   200 Millimeter
Outer Race Width	1.772 Inch   45 Millimeter
Bore Type	Cylindrical Bore
Configuration	Single Row
Bore Size	95 mm
Width	45 mm
Fillet Radius/Chamfer	3 mm
Dynamic Load Rating	153,000 N
Static Load Rating	118,000 N
Limiting Speed - Grease	3,300 rpm



## CEBY BEARINGS INVESTMENT LTD

Factor fo	13.3
Radial Clearance	0.012 to 0.036 mm
da (min)	109 mm
Da (max)	186 mm
ra (max)	2.5 mm