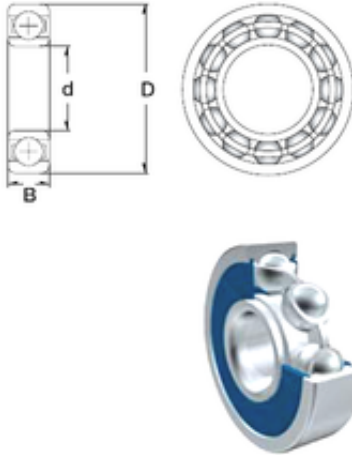




CEBY BEARINGS INVESTMENT LTD



95 mm x 200 mm x 45 mm ZEN 6319-2RS deep groove ball bearings

Bearing No. 6319-2RS

Size	95x200x45 mm
Bore Diameter	95 mm
Outer Diameter	200 mm
Width	45 mm
d	95 mm
D	200 mm
B	45 mm
C	45 mm
Weight	7,14 Kg
Basic dynamic load rating (C)	146 kN
Basic static load rating (C0)	114 kN

6319-2RS Bearing 2D drawings and 3D CAD models