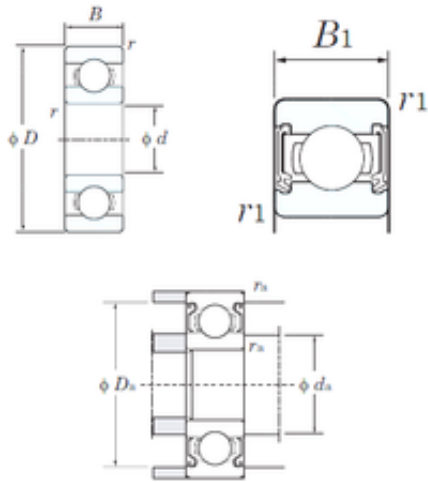




CEBY BEARINGS INVESTMENT LTD



7 mm x 19 mm x 6 mm KOYO 607-2RD deep groove ball bearings

Bearing No. 607-2RD

Size	7x19x6 mm
Bore Diameter	7 mm
Outer Diameter	19 mm
Width	6 mm
d	7 mm
D	19 mm
B	6 mm
C	6 mm
r min.	0,3 mm
r1 min.	0,3 mm
da min.	9 mm
Da max.	17 mm
ra max.	0,3 mm
Weight	0,0076 Kg
Basic dynamic load rating (C)	2,6 kN
Basic static load rating (C0)	1,05 kN
(Grease) Lubrication Speed	36000 r/min

607-2RD Bearing 2D drawings and 3D CAD models