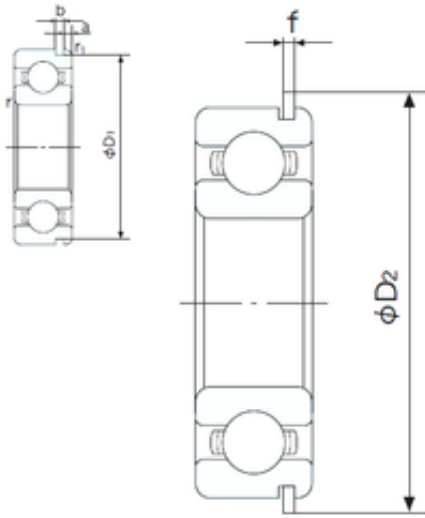




# CEBY BEARINGS INVESTMENT LTD



70 mm x 110 mm x 20 mm NACHI 6014NR  
deep groove ball bearings

Bearing No. 6014NR

6014NR Bearing 2D drawings and 3D CAD models

Size	70x110x20 mm
Bore Diameter	70 mm
Outer Diameter	110 mm
Width	20 mm
d	70 mm
D	110 mm
B	20 mm
C	20 mm
a	2.87 mm
b	2.7 mm
f	2.46 mm
r min.	1.1 mm
r1 min.	0.5 mm
D1	106.81 mm
D2	116.6 mm
Weight	0.580 Kg
Basic dynamic load rating (C)	38 kN
Basic static load rating (C0)	31 kN
(Grease) Lubrication Speed	6000 r/min
Category	Ball Bearings
Inventory	0.0
Manufacturer Name	NACHI
Minimum Buy Quantity	N/A
UNSPSC	31171504
Weight / Kilogram	0.608



## CEBY BEARINGS INVESTMENT LTD

EAN	4991893652260
Product Group	B00308
Bore Type	Cylindrical Bore
Configuration	Single Row
Enclosure	Snap Ring Groove with Snap Ring
Bore Size	70 mm
Outside Diameter	110 mm
Width	20 mm
Fillet Radius/Chamfer	1.1 mm
r1	0.5 mm
Snap Ring Width	2.5 mm
Snap Ring Outside Diameter	116.6 mm
D1 (max)	106.8 mm
a (max)	2.9 mm
b (min)	2.7 mm
Dynamic Load Rating	38,000 N
Static Load Rating	31,000 N
Limiting Speed - Grease	6,100 rpm
Limiting Speed - Oil	7,100 rpm
Factor fo	15.6
Radial Clearance	0.010 to 0.030 mm
da (min)	76 mm
Da (max)	104 mm
Dx (min)	118 mm
ra (max)	1 mm
Cy (max)	5 mm