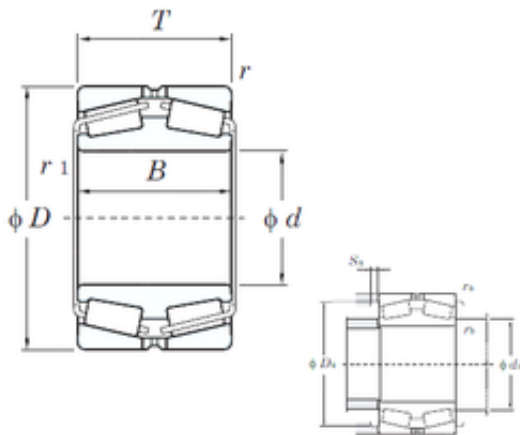




CEBY BEARINGS INVESTMENT LTD

460 mm x 680 mm x 163 mm KOYO 45292 tapered roller bearings



Bearing No. 45292

45292 Bearing 2D drawings and 3D CAD models

Size	460x680x163 mm
Bore Diameter	460 mm
Outer Diameter	680 mm
Width	163 mm
d	460 mm
D	680 mm
T	163 mm
B	163 mm
r min.	6 mm
r1 min.	6 mm
da max	510 mm
Db min.	616 mm
ra max.	5 mm
rb max.	5 mm
Db max	652 mm
Weight	197 Kg
Basic dynamic load rating (C)	3000 kN
Basic static load rating (C0)	5660 kN
(Grease) Lubrication Speed	280 r/min
(Oil) Lubrication Speed	370 r/min
Calculation factor (e)	0,39
Calculation factor (Y0)	1,7
Bearing No.	45292
r(min)	6
r1(min)	6



CEBY BEARINGS INVESTMENT LTD

Cr	3480
C0r	5660
Cu	265
Grease lub.	280
Oil lub.	370
da(max)	510
Da(max)	652
Da(min)	616
Sa(min)	6
ra(max)	5
rb(max)	5
e	0.39
Y2	1.74
Y3	2.59
Y0	1.70
(Refer.) Mass(kg)	197