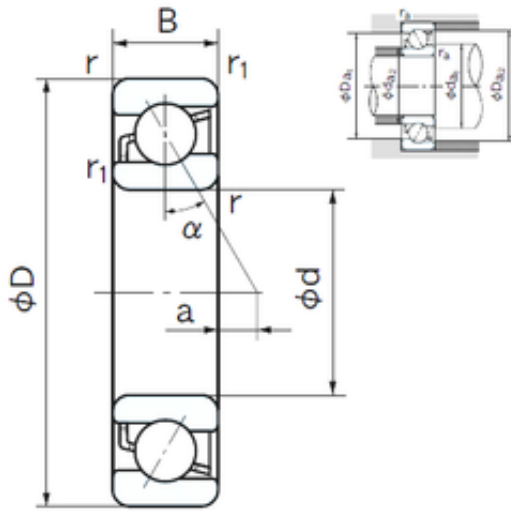




# CEBY BEARINGS INVESTMENT LTD



45 mm x 75 mm x 16 mm NACHI 7009 angular contact ball bearings

Bearing No. 7009

7009 Bearing 2D drawings and 3D CAD models

Size	45x75x16 mm
Bore Diameter	45 mm
Outer Diameter	75 mm
Width	16 mm
d	45 mm
D	75 mm
B	16 mm
C	16 mm
Angle ( ° )	30 °
a	9.3 mm
r min.	1 mm
r1 min.	0.6 mm
da min.	50 mm
Da max.	70 mm
ra max.	1 mm
Weight	0.265 Kg
Basic dynamic load rating (C)	22,2 kN
Basic static load rating (C0)	17,6 kN
(Grease) Lubrication Speed	7500 r/min
Configuration	Single Row
Enclosure	Open
Bore Type	Cylindrical Bore
Bore Size	45 mm
Outside Diameter	75 mm
Width	16 mm



## CEBY BEARINGS INVESTMENT LTD

Fillet Radius/Chamfer	1 mm
r1	0.6 mm
Dynamic Load Rating	22,200 N
Static Load Rating	17,600 N
Limiting Speed - Grease	7,500 rpm
Limiting Speed - Oil	10,000 rpm
da1 (min)	50 mm
da2 (min)	50 mm
Da1 (max)	70 mm
Da2 (max)	72 mm
ra (max)	1 mm
ra1 (max)	0.6 mm