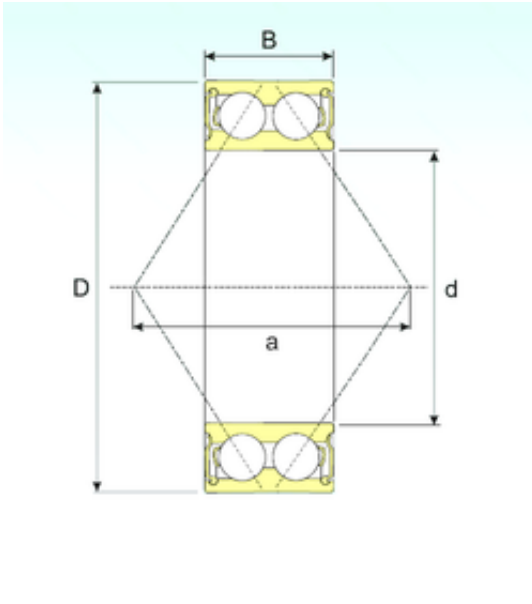




# CEBY BEARINGS INVESTMENT LTD



3201-2RS Bearing 2D drawings and 3D CAD models

12 mm x 32 mm x 15,9 mm ISB 3201-2RS  
angular contact ball bearings

Bearing No. 3201-2RS

Size	12x32x15.9 mm
Bore Diameter	12 mm
Outer Diameter	32 mm
Width	15,9 mm
d	12 mm
D	32 mm
B	15,9 mm
C	15,9 mm
a	19 mm
Weight	0,058 Kg
Basic dynamic load rating (C)	9,9 kN
Basic static load rating (C0)	5,49 kN
(Grease) Lubrication Speed	20900 r/min