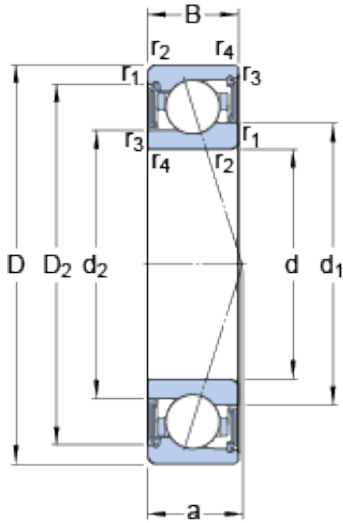




CEBY BEARINGS INVESTMENT LTD



S71915 CE/HCP4A Bearing 2D drawings and 3D CAD models

75 mm x 105 mm x 16 mm SKF S71915 CE/HCP4A angular contact ball bearings

Bearing No. S71915 CE/HCP4A

Size	105x75x16 mm
Bore Diameter	105 mm
Outer Diameter	75 mm
Width	16 mm
d	75 mm
D	105 mm
B	16 mm
d ₁	84.3 mm
d ₂	81.8 mm
D ₂	98.6 mm
r _{1,2} - min.	1 mm
r _{3,4} - min.	0.3 mm
a	20.7 mm
d _a - min.	79.6 mm
d _a - max.	83.7 mm
d _b - min.	77 mm
d _b - max.	81.2 mm
D _a - max.	100.4 mm
D _b - max.	103 mm
r _a - max.	1 mm
r _b - max.	0.3 mm
Basic dynamic load rating - C	22.5 kN
Basic static load rating - C ₀	17 kN
Fatigue load limit - P _u	0.72 kN



CEBY BEARINGS INVESTMENT LTD

Limiting speed for grease lubrication	20500 r/min
Ball - D_w	9.525 mm
Ball - z	23
Calculation factor - f_0	8.5
Preload class A - G_A	120 N
Preload class B - G_B	361 N
Preload class C - G_C	722 N
Calculation factor - f	1.16
Calculation factor - f	1
Calculation factor - f_{2A}	1
Calculation factor - f_{2B}	1.05
Calculation factor - f_{2C}	1.09
Calculation factor - f_{HC}	1.01
Preload class A	60 N/micron
Preload class B	95 N/micron
Preload class C	131 N/micron
d_1	84.3 mm
d_2	81.8 mm
D_2	98.6 mm
$r_{1,2}$ min.	1 mm
$r_{3,4}$ min.	0.3 mm
d_a min.	79.6 mm
d_a max.	83.7 mm
d_b min.	77 mm
d_b max.	81.2 mm
D_a max.	100.4 mm
D_b max.	103 mm
r_a max.	1 mm
r_b max.	0.3 mm
Basic dynamic load rating C	22.5 kN



CEBY BEARINGS INVESTMENT LTD

Basic static load rating C_0	17 kN
Fatigue load limit P_u	0.72 kN
Attainable speed for grease lubrication	20500 r/min
Ball diameter D_w	9.525 mm
Number of balls z	23
Preload class A G_A	120 N
Static axial stiffness, preload class A	60 N/ μ m
Preload class B G_B	361 N
Static axial stiffness, preload class B	95 N/ μ m
Preload class C G_C	722 N
Static axial stiffness, preload class C	131 N/ μ m
Calculation factor f	1.16
Calculation factor f_1	1
Calculation factor f_{2A}	1
Calculation factor f_{2B}	1.05
Calculation factor f_{2C}	1.09
Calculation factor f_{HC}	1.01
Calculation factor f_0	8.5
Mass bearing	0.29 kg